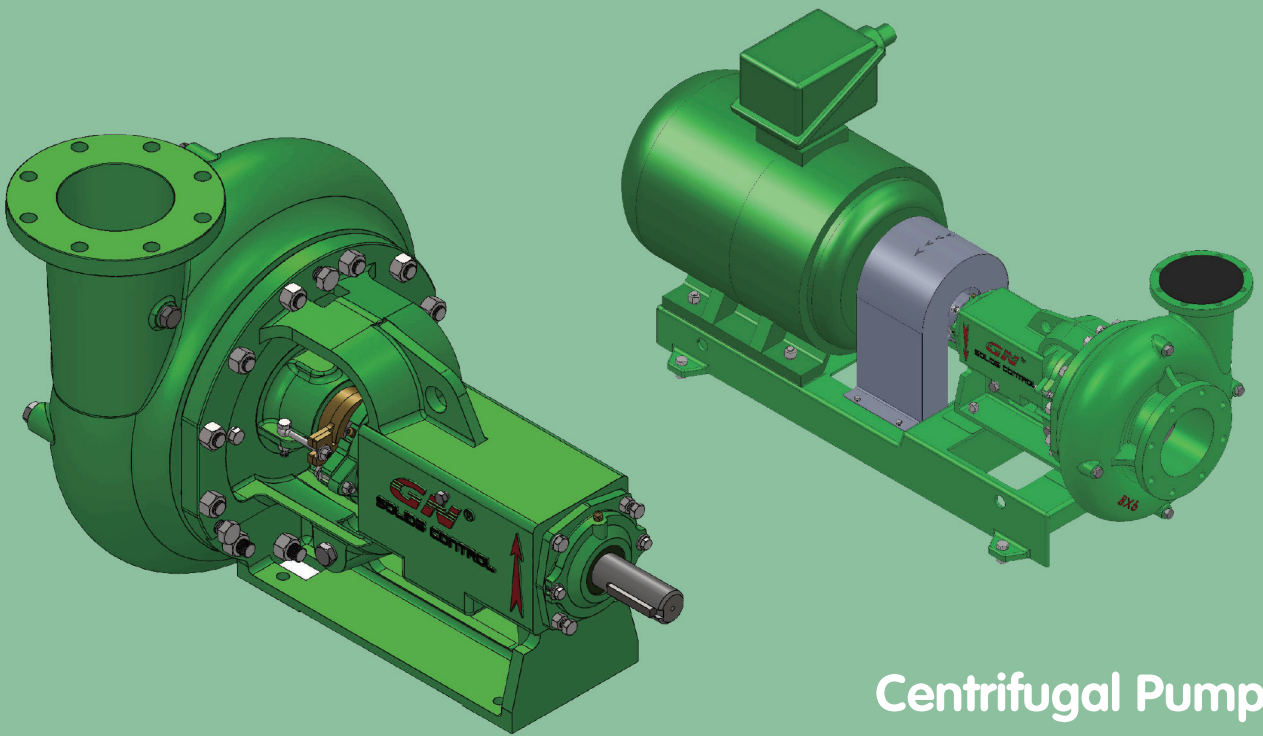


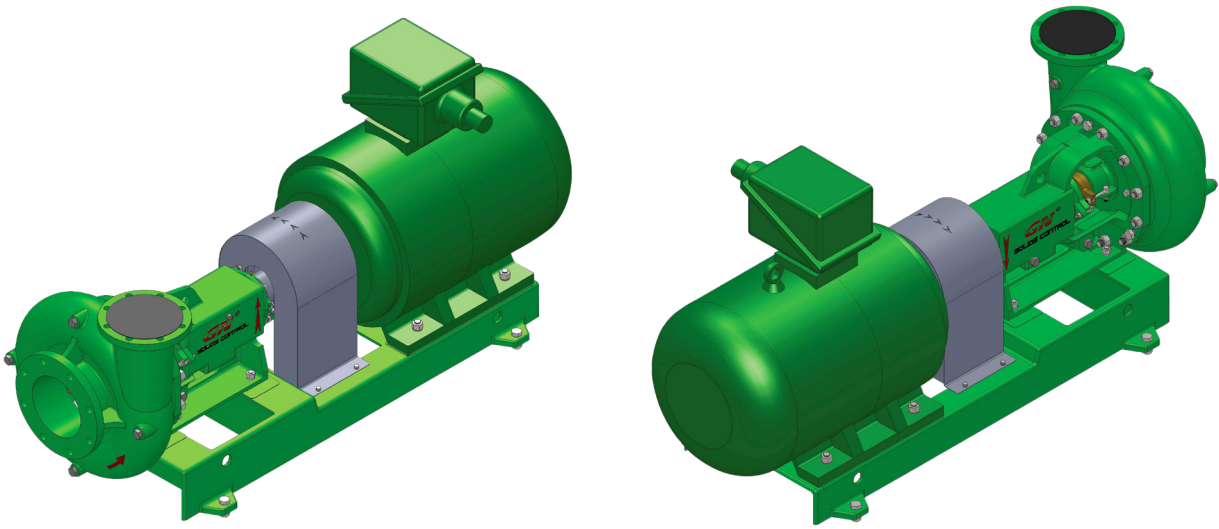
GN[®]
SOLIDS CONTROL



Centrifugal Pump

HEBEI GN SOLIDS CONTROL CO.,LTD

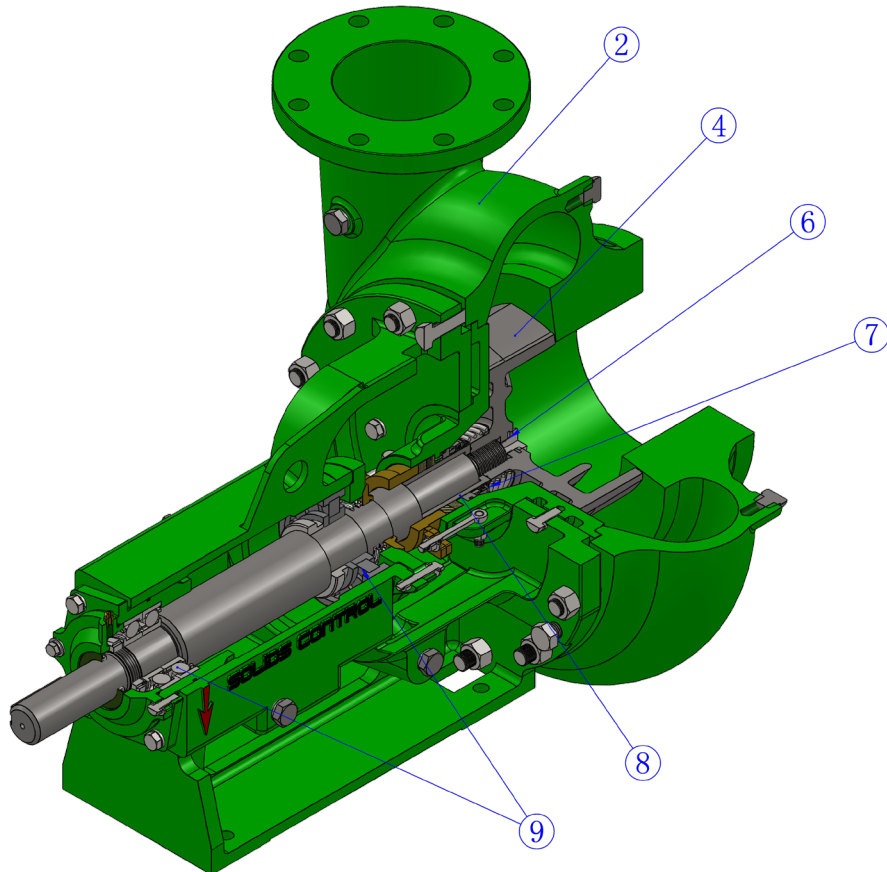
1 General Description



The GN SB Series Centrifugal pumps are used for transferring slurry or mud or water. They can be used as the feed pump for a desander or desilter, or used as a mixing pump for a Jet mud mixer. They can also be used as a trip pump or supercharging pump for the rig mud pump. All GN model centrifugal pumps use tungsten carbide mechanical seals and use bearings from first tier international suppliers. Spare parts are interchangeable with the commonly used international brand pumps which helps the customer to source spare parts easily. The open impeller design lowers axial thrust loads and make it easier for installation, repair and maintenance.

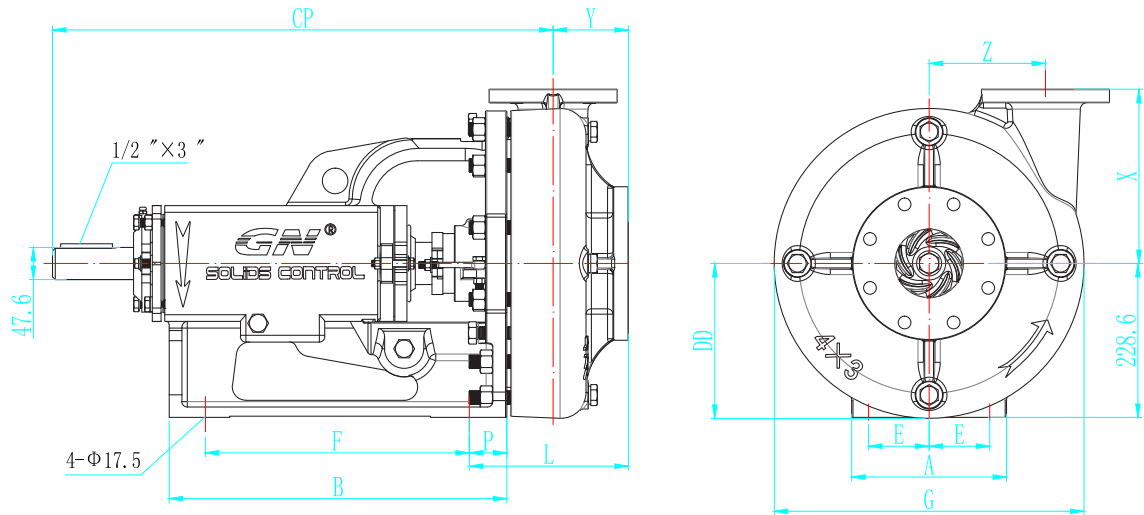
Model	Flow (m ³ /h)	Lift (m)	Power (Kw)	Motor Speed (RPM)	Impeller (Inch)
GNSB8 × 6C-14J	320m ³ /h	35m	75kW	1450RPM (50Hz)	14in
GNSB8 × 6C-12J				1750RPM (60Hz)	12in
GNSB8 × 6C-13J	272m ³ /h	35m	55kW	1450RPM (50Hz)	13in
GNSB8 × 6C-11J				1750RPM (60Hz)	11in
GNSB6 × 5C-13J	200m ³ /h	35m	45kW	1450RPM (50Hz)	13in
GNSB6 × 5C-10J				1750RPM (60Hz)	10in
GNSB6 × 5C-12J	150m ³ /h	30m	37kW	1450RPM (50Hz)	12in
GNSB6 × 5C-9.5J				1750RPM (60Hz)	9.5in
GNSB5 × 4C-13J	120m ³ /h	35m	30kW	1450RPM (50Hz)	13in
GNSB5 × 4C-11J				1750RPM (60Hz)	11in
GNSB5 × 4C-12J	90m ³ /h	30m	22kW	1450RPM (50Hz)	12in
GNSB5 × 4C-10J				1750RPM (60Hz)	10in
GNSB4 × 3C-13J	65m ³ /h	35m	18.5kW	1450RPM (50Hz)	13in
GNSB4 × 3C-12J				1750RPM (60Hz)	12in
GNSB4 × 3C-12J	55m ³ /h	28m	15kW	1450RPM (50Hz)	12in
GNSB4 × 3C-10J				1750RPM (60Hz)	10in
GNSB4 × 3C-11J	45m ³ /h	25m	11kW	1450RPM (50Hz)	11in
GNSB4 × 3C-9.5J				1750RPM (60Hz)	9.5in
GNSB3 × 2C-10J	35m ³ /h	35m	7.5kW	1450RPM (50Hz)	10in
GNSB3 × 2C-9J				1750RPM (60Hz)	9in

2 Features and Benefits



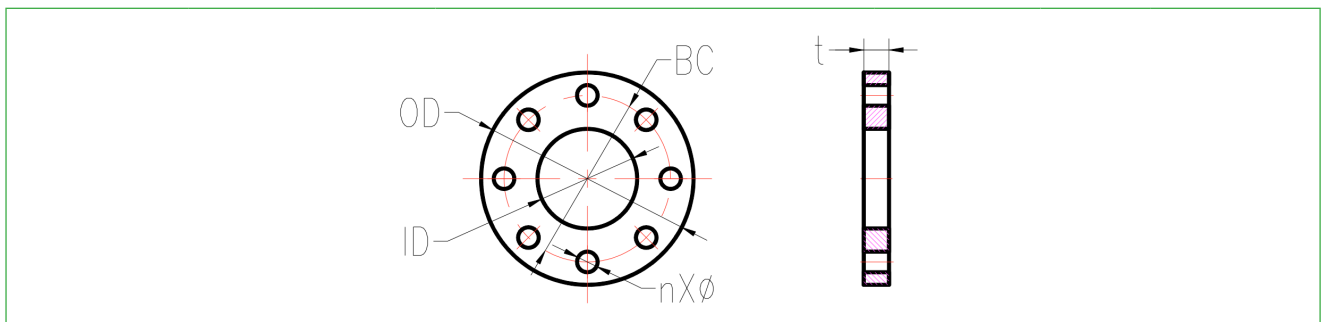
1. All spare parts interchangeable with most of the international Brand pump which helps customer to source spare parts easily
2. Thick, Strong Concentric casing provides extended life over conventional volute designs. The Concentric design minimizes turbulence and abrasive wear.
3. Pump casing made from hard ductile iron alloy, increased abrasion resistant capability compared to competitors pump.
4. Wide open-vane impeller creates lower axial thrust for improved bearing life.
5. Pump impeller made from hard ductile iron alloy, extended life over competitors design.
6. Anti-loosening impeller lock bolt to eliminate pump damage in case of improper motor hook-up.
7. High quality no-adjustment mechanical seal to provide zero leakage and longer operation life.
8. Replaceable shaft sleeve prevents shaft wear.
9. All bearings from top brand for reliable operation.
10. The skid for supporting pump and motor is made from casting instead of welding to provide reliable operation and less vibration in a result to extend the pump and motor life.

3 Bare Pump Dimension (mm)



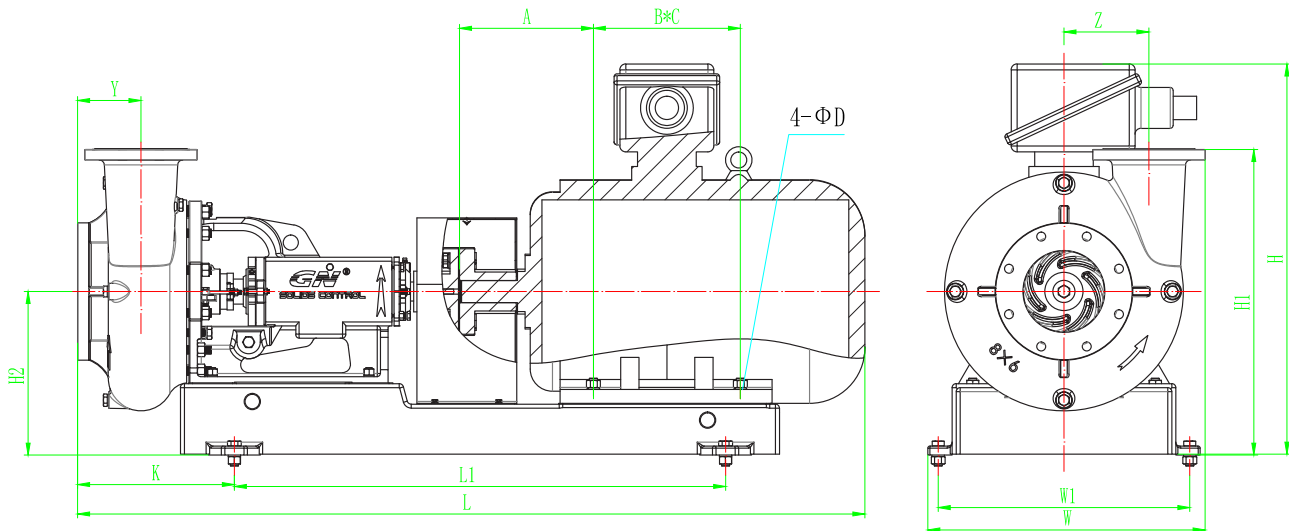
Model	A	B	E	F	G	L	P	x	Y	Z	CP	DD	Weight (kg)
4x3x13	228.6	498.5	88.9	392.1	454	238.1	58.7	260.3	108	171.4	746.1	227	220
5x4x14	228.6	498.5	88.9	392.1	483	273	58.7	279.4	127	155.6	762	241.3	249
6x5x14	228.6	498.5	88.9	392.1	533.4	306.4	58.7	279.4	146.4	152.4	777.9	266.7	278
8x6x14	228.6	498.5	88.9	392.1	598.5	336.6	58.7	355.6	158.7	212.7	793.7	300	320

i Notice: Please specify the flange type while ordering, either can be metric, or US standard. Typically it's metric standard flange. See blow:



Size	ID	OD	BC(US)	BC(Metric)	Thickness	No. of bolts	Hole diameter
(inch)	(inch)	(inch)	(mm)	(mm)	(mm)		φ (mm)
3	76.2	190.5	152.4	160	19.1	4	19.1
4	101.6	228.6	190.5	180	23.8	8	19.1
5	127	254.0	215.9	210	23.8	8	22.2
6	152.4	279.4	241.3	240	25.4	8	22.2
8	203	342.9	298.5	295	28.5	8	22.2

4 Dimension of pump with Motor

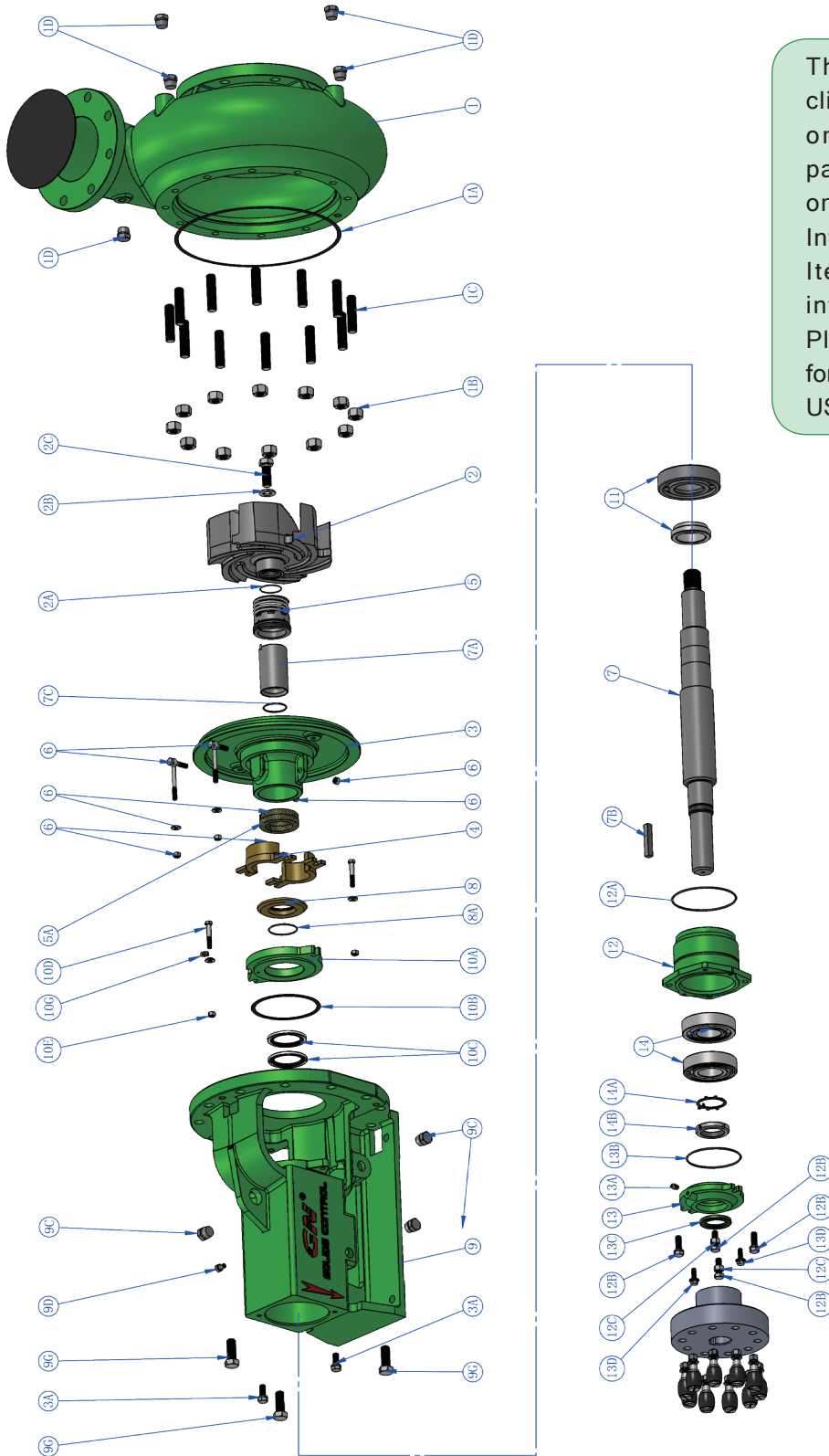


Pump Size	Motor Power (KW)	L mm	W mm	H mm	L1 mm	W1 mm	H1 mm	H2 mm	K mm	Y mm	Z mm	A mm	B mm	C mm	4-ΦD mm	Weight (kg)
GNSB4×3	11	1583	497.4	714	1020	410	584	323.6	303.1	108	171.4	223	210	254	16	455
GNSB4×3	15	1613	497.4	714	1020	410	584	323.6	303.1	108	171.4	223	254	254	16	478
GNSB4×3	18.5	1636	512.4	728.6	1020	440	584	323.6	303.1	108	171.4	236	241	279	16	530
GNSB5×4	22	1669	516	728.6	1020	440	603	323.6	338	127	155.6	236	279	279	16	615
GNSB5×4	30	1747	531.5	793.6	990	470	623	343.6	358	127	155.6	248.1	305	318	20	704
GNSB6×5	37	1822	567	793.6	1080	515	602.6	323.6	374.2	146.4	152.4	294	314	356	20	767
GNSB6×5	45	1852	567	793.6	1080	515	602.6	323.6	374.2	146.4	152.4	294	283	356	20	852
GNSB8×6	55	1927.5	664	919.6	1150	570	735.2	379.6	392.7	158.7	212.7	313	349	406	24	1105
GNSB8×6	75	1972	694	980	1230	630	765.2	409.6	392.7	158.7	212.7	335.1	368	457	24	1160



For reference only depends on clients motor brand, for any questions, please contact GN Solids Control.

5 Exploded drawing and Parts No. List



This drawing and table is for clients to identify the parts for ordering. Clients can order parts for GN Centrifugal pump or replacement parts for other International brand pump. The Item No. is same as the top international industrial brand. Please specify flange standard for the pump casing from Metric, US standard.

Attachment: Part Number List

Item No.	English Description	中文描述	Quantity
1*	Casing(Size per request)	泵壳 (型号由客户选定)	1
1A	Gasket,Casing	泵盖密封垫圈	1
1B	Nut,Casing	六角头螺母	12
1C	Stud,Casing	螺杆	12
1D	Plug,Casing Drain	六方头丝堵	4
1E	Plug,Flush Line	六方头丝堵	1
2*	Impeller((Size per request)	叶轮 (型号由客户选定)	1
2A	Seal,Impeller	O 形圈	1
2B	Washer,Impeller	平垫圈	1
2C	Bolt,Impeller Lock	六角头螺栓	1
3	Stuffing Box,Mech. Seal	砂泵泵盖总成	1
3A	Bolt,Stuffing Box	六角头螺栓, 含弹簧垫圈	2
4	Gland Assy.,Packing	盘根压环组合	1
5	Mechanical Seal	机械密封	1
5A	Packing Shaft	密封盘根	2
6	Bolt Assy,Gland	螺栓总成: 含六角头螺栓 (1), 活接螺栓 (1), 平垫圈 (1), 六角头螺母 (2)	2
7	Shaft	泵轴	1
7A	Mechanical Seal Sleeve,Shaft	耐磨套	1
7B	Key,Shaft	B 型普通平键	1
7C	Seal,Shaft Sleeve	O 形圈	1
8	Deflector Assembly	挡泥盘总成, 含 O 形圈	1
9	Frame Grease Lubricated	砂泵支架	1
9C	Plug,Frame Drain	六方头丝堵	3
9D	Breather	呼气嘴	1
9G	Bolt,Casing Jack	六角头螺栓, 含弹簧垫圈	3
10A	Cover,Inboard Bearing	内侧轴承压盖	1
10B	Gasket,I.B.Brg.Cover	内侧轴承压盖密封垫圈	1
10C	Oil Seal,I.B.Brg.Cover (2*10C=10C+10F)	FB 型骨架油封 (2*10C=10C+10F)	2
10D	Bolt,I.B.Brg.Cover	六角头螺栓, 含弹簧垫圈, 平垫圈	2
10E	Nut,I.B.Brg.Cover	六角头螺母	2
10G	Grease Fitting	直通式压注油杯	1
11	Bearing,Inboard	圆柱滚子轴承, 含定距套	1
12	Housing,O.B.Bearing	外侧轴承架	1
12A	Seal,O.B.Brg,Housing	O 形圈	1
12B	Bolts, O. B. Brg, Housing	六角头螺栓	4
12C	Nut,O.B.Brg,Housing Jam	六角头螺母	2

Item No.	English Description	中文描述	Quantity
13	Cover,O.B.Bearing	外侧轴承压盖	1
13A	Grease Zerk,O.B.Brg.Cvr.	直通式压注油杯	1
13B	O-Ring,O.B.Bearing Cover	O 形圈	1
13C	Oil Seal,O.B.Brg.Cover	FB 型骨架油封	1
13D	Bolt,O.B.Brg.Cover	六角头螺栓, 含平垫圈, 弹簧垫圈	2
14	Bearing,O.B.(2 Req'd)	角接触球轴承	1
14A	Lockwasher,O.B.Bearing	圆螺母用止动垫圈	1
14B	Locknut,O.B.Bearing	圆螺母	1
Casing	Casings-Includes Studs,Nuts & Gasket (Specify flange standard)	泵壳 - 包含螺杆, 螺母, 和垫圈 (请用户注明法兰标准)	See Below
1*	Casing,3x2x13	泵壳, 3x2x13	1
1*	Casing,4x3x13	泵壳, 4x3x13	1
1*	Casing,5x4x14	泵壳, 5x4x14	1
1*	Casing,6x5x14	泵壳, 6x5x14	1
1*	Casing,8x6x14	泵壳, 8x6x14	1
Impeller	Impeller	叶轮 (型号由客户选定)	
2*	Impeller,3x2-9.5	叶轮, 3x2-9.5	1
2*	Impeller,3x2-10	叶轮, 3x2-10	1
2*	Impeller,3x2-11	叶轮, 3x2-11	1
2*	Impeller,3x2-12	叶轮, 3x2-12	1
2*	Impeller,3x2-13	叶轮, 3x2-13	1
2*	Impeller,4x3-9.5	叶轮, 4x3-9.5	1
2*	Impeller,4x3-10	叶轮, 4x3-10	1
2*	Impeller,4x3-11	叶轮, 4x3-11	1
2*	Impeller,4x3-12	叶轮, 4x3-12	1
2*	Impeller,4x3-13	叶轮, 4x3-13	1
2*	Impeller,5x4-10	叶轮, 5x4-10	1
2*	Impeller,5x4-11	叶轮, 5x4-11	1
2*	Impeller,5x4-12	叶轮, 5x4-12	1
2*	Impeller,5x4-13	叶轮, 5x4-13	1
2*	Impeller,5x4-14	叶轮, 5x4-14	1
2*	Impeller,6x5-9.5	叶轮, 6x5-9.5	1
2*	Impeller,6x5-10	叶轮, 6x5-10	1
2*	Impeller,6x5-11	叶轮, 6x5-11	1
2*	Impeller,6x5-12	叶轮, 6x5-12	1
2*	Impeller,6x5-13	叶轮, 6x5-13	1
2*	Impeller,6x5-14	叶轮, 6x5-14	1
2*	Impeller,8x6-11	叶轮, 8x6-11	1
2*	Impeller,8x6-12	叶轮, 8x6-12	1
2*	Impeller,8x6-13	叶轮, 8x6-13	1
2*	Impeller,8x6-14	叶轮, 8x6-14	1

Contact us



SOLIDS CONTROL

Headquater : Hebei GN Solids Control Co.,Ltd
Address: No.3 Industry Road,Dachang Chaobai River
Development Area,Langfang, China 065300-
Location: 40KM to Beijing International Airport
Tel: +86-316-5276989 / 5276988 / 5276990
Fax: +86-316-5276997 / 5276990
Email: sales@gnsolidscontrol.com
Web: <http://www.gnsolidscontrol.com>



SOLIDS AMERICA

GN Houston, Texas : GN Solids America LLC
Add: 6710 Windfern Road, Houston, TX 77040, USA
TEL: +1-713-8780880 / 1-832-288-5917
Email: usa@gnsolidscontrol.com
Web: <http://www.gnsolidsamerica.com>



SOLIDS RUSSIA

Add: Moscow, Russia
Tel: +7 965 411 38 95 / +7 968 950 31 49
Email: sales@gnsolidscontrol.com
Web: <http://www.gnsolidscontrol.ru>